



PNEUMATIC ROCKDRILLS

DIAMOND DRILLS

REPLACEMENT PARTS

PARTS HEADQUARTERS INC.

1175 Appleby Line, Unit C2, Burlington, Ontario, Canada L7L 5H9 Phone 905-332-3271 Fax 905-332-9497 Email info@partshq.com

PHQ250 Sinker

All internal parts in PHQ250 Sinker
are also used in PHQ250 Jacklegs,
Stoppers, and Quarry drills.

This Sinker Drill delivers high
Penetration and strong torque.

Standard operating controls are
Located on the drill backhead.

Positive lubrication with strong
front end blow.

Larger mating faces between
major cylinder components
for longer life and less wear.

"T" Handle is spring loaded to
reduce the transference of
vibration from the rock drill to
the drill operator's hands and
arms. Lessens driller fatigue.

Front end locking steel retainer
for collared steel standard.

Use with rock drill oil or grease.



PHQ250 Sinker Drill

*PHQ's new 250 Drills have
larger mating faces between
major cylinder components
for reduced air leakage and
longer wearing life.*



ISO 9001:2000

Certificate: 002485

www.partshq.com

PHQ250 Sinker Drill

Features

Large mating faces on components bodies for less wear and longer life

Reduced weight for ease of handling.

PHQ250 Sinker Specifications

PHQ250SKM

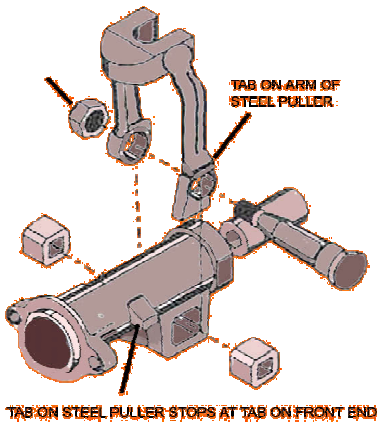
(MUFFLED)

"T" HANDLE SINKER

SHOCK AND VIBRATION
REDUCED SPRING MOUNT

Muffled Drill weighs... 37 kg 80 lb
Standard Drill weighs 36 kg 79 lb

LOCKING FRONT END

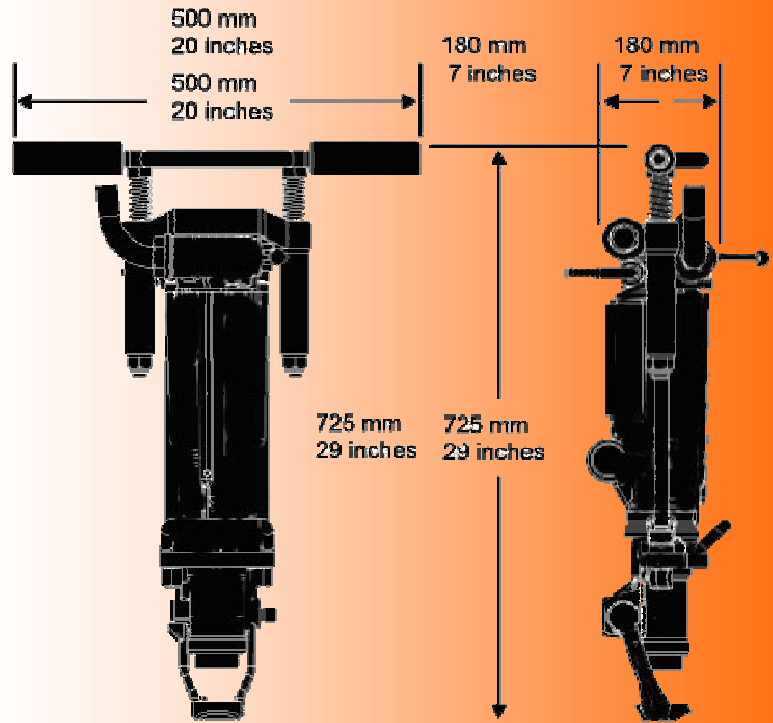


PHQ250 Sinker configurations:

- SKM Integral steel muffler
- SKS Standard exhaust

PHQ250SKM

Muffled sinker collared c/w steel retainer



PHQ carries a full range of parts
for PHQ250 drills in stock.

All parts made in to precise
specifications using only
the highest quality tool steel

www.partshq.com