

Tubing

When Ordering,
Please Specify
Type of Material:

- Carbon
- Stainless
- Aluminum
- Galvanized Steel

Standard Tubing

- 2-1/8" through 14" OD
- Wall Thickness: 16, 14, 12, 11 Gauge
- Materials: Carbon, Stainless, Aluminum, Galvanized Steel

• WE ARE CAPABLE OF PROVIDING 1-1/2" - 14" OD

OD	GAUGE	NOMINAL WALL THICKNESS	CARBON	GALVANIZED STEEL	STAINLESS	ALUMINUM
2-1/8"	16	0.065"	16WT212C	16WT212Z	16WT212S	16ST212A
2-1/8"	11	0.120"	11WT212C	11WT212Z*	11WT212S	11ST212A
2-1/2"	16	0.065"	16WT250C	16WT250Z	16WT250S	16ST250A
2-1/2"	11	0.120"	11WT250C	11WT250Z*	11WT250S	11ST250A
3"	16	0.065"	16WT300C	16WT300Z	16WT300S	16ST300A
3"	11	0.120"	11WT300C	11WT300Z	11WT300S	11ST300A
3-1/2"	16	0.065"	16WT350C	16WT350Z	16WT350S	16ST350A
3-1/2"	11	0.120"	11WT350C	11WT350Z*	10WP300S	11ST350A
4"	16	0.065"	16WT400C	16WT400Z	16WT400S	16ST400A
4"	11	0.120"	11WT400C	11WT400Z	10WP350S	11ST400A
5"	14	0.083"	14WT500C	14WT500Z	14WT500S	14ST500A
5"	11	0.120"	11WT500C	11WT500Z	11WT500S	11ST500A
6"	14	0.083"	14WT600C	14WT600Z	14WT600S	14ST600A
6"	11	0.120"	11WT600C	11WT600Z	11WT600S	11ST600A
8"	14	0.083"	14WT800C	14WT800Z	14WT800S	14ST800A
8"	11	0.120"	11WT800C	11WT800Z	11WT800S	11ST800A
10"	12	0.109"	12WT1000C	12WT1000Z	12WT1000S	12ST1000A†
12"	12	0.109"	12WT1200C	12WT1200Z	12WT1200S	12ST1200A†
14"	12	0.109"	12WT1400C	12WT1400Z	**	**

• OUR STANDARD STOCK (UNLESS NOTED) IS 20 FT. LENGTHS, BUT WE WILL CUT TO YOUR SPECIFICATIONS
* 10 FT. LENGTHS
** QUOTATION BASIS
† 13 GAUGE

KEY

OD = Outside Diameter
GALV = Galvanized
All reference dimensions are nominal.

See price guide for stocking status

Standard Elbows & Bends

Standard Long Radius Bends

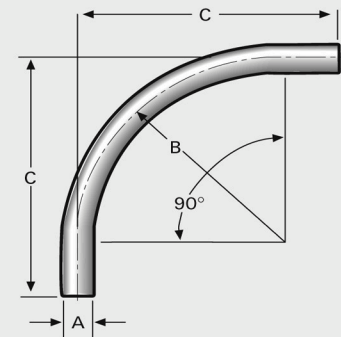
• EXPANDED ENDS AVAILABLE UPON REQUEST, EXCEPT ON 8" AND 10" BENDS & ALL 11 GAUGE BENDS

A (OD)	B (CLR)	GAUGE	C	90° PART NO.	C	45° PART NO.
2-1/8"	24"	16	30"	16-212242	15-15/16"	16-212241
2-1/8"	24"	11	30"	11-212242	15-15/16"	11-212241
2-1/8"	36"	16	42"	16-212362	20-15/16"	16-212361
2-1/8"	36"	11	42"	11-212362	20-15/16"	11-212361
2-1/2"	24"	16	30"	16-250242	15-15/16"	16-250241
2-1/2"	24"	11	30"	11-250242	15-15/16"	11-250241
2-1/2"	36"	16	42"	16-250362	20-15/16"	16-250361
2-1/2"	36"	11	42"	11-250362	20-15/16"	11-250361
3"	24"	16	30"	16-300242	15-15/16"	16-300241
3"	24"	11	30"	11-300242	15-15/16"	11-300241
3"	30"	16	36"	16-300302	18-7/16"	16-300301
3"	30"	11	36"	11-300302	18-7/16"	11-300301
3"	36"	16	42"	16-300362	20-15/16"	16-300361
3"	36"	11	42"	11-300362	20-15/16"	11-300361
3"	38"	16	44"	16-300382	21-3/4"	16-300381
3"	38"	11	44"	11-300382	21-3/4"	11-300381
3"	48"	16	54"	16-300482	25-7/8"	16-300481
3"	48"	11	54"	11-300482	25-7/8"	11-300481
3-1/2"	30"	16	37"	16-350302	19-7/16"	16-350301
3-1/2"	30"	11	37"	11-350302	19-7/16"	11-350301
3-1/2"	36"	16	43"	16-350362	21-15/16"	16-350361
3-1/2"	36"	11	43"	11-350362	21-15/16"	11-350361
3-1/2"	48"	16	55"	16-350482	26-7/8"	16-350481
3-1/2"	48"	11	55"	11-350482	26-7/8"	11-350481
4"	24"	16	32"	16-400242	17-15/16"	16-400241
4"	24"	11	32"	11-400242	17-15/16"	11-400241
4"	30"	16	38"	16-400302	20-7/16"	16-400301
4"	30"	11	38"	11-400302	20-7/16"	11-400301
4"	36"	16	44"	16-400362	22-15/16"	16-400361
4"	36"	11	44"	11-400362	22-15/16"	11-400361
4"	48"	16	56"	16-400482	27-7/8"	16-400481
4"	48"	11	56"	11-400482	27-7/8"	11-400481
4"	60"	16	68"	16-400602	32-7/8"	16-400601
4"	60"	11	68"	11-400602	32-7/8"	11-400601
5"	30"	14	40"	14-500302	22-7/16"	14-500301
5"	30"	11	40"	11-500302	22-7/16"	11-500301
5"	48"	14	58"	14-500482	29-7/8"	14-500481
5"	48"	11	58"	11-500482	29-7/8"	11-500481
6"	30"	14	42"	14-600302	24-7/16"	14-600301
6"	30"	11	42"	11-600302	24-7/16"	11-600301
6"	48"	14	60"	14-600482	31-7/8"	14-600481
6"	48"	11	60"	11-600482	31-7/8"	11-600481
6"	60"	14	72"	14-600602	36-7/8"	14-600601
6"	60"	11	72"	11-600602	36-7/8"	11-600601
8"	32"	14	48"	14-800322	25-1/4"	14-800321
8"	32"	11	48"	11-800322	25-1/4"	11-800321
8"	48"	14	64"	14-800482	31-7/8"	14-800481
8"	48"	11	64"	11-800482	31-7/8"	11-800481
10"	48"	12	70"	12-1000482*	41-7/8"	12-1000481*

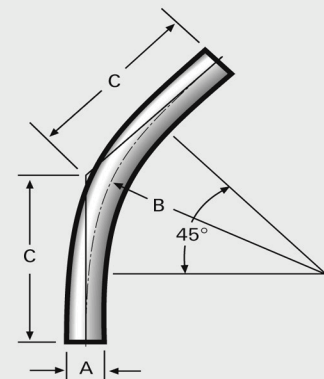
• NOMINAL STANDARD TANGENT IS TWO TIMES TUBE OD, 6" MINIMUM
 • ALL STANDARD BENDS HAVE STRAIGHT ENDS
 • NOMINAL STANDARD TANGENT FOR 10" BEND IS 22"
 * STAINLESS PARTS ARE SEGMENTED

When Ordering,
Please Specify
Type of Material:

- Carbon
- Stainless
- Aluminum
- Galvanized Steel



90° Long Radius Bend



45° Long Radius Bend

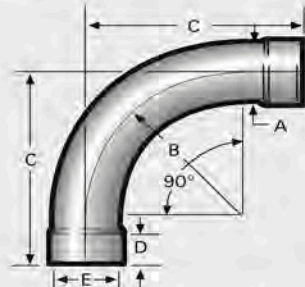
KEY

OD = Outside Diameter
 CLR = Center Line Radius
 C = Center to end
 All reference dimensions are nominal.

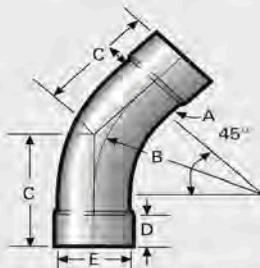
Standard Elbows & Bends

When Ordering,
Please Specify
Type of Material:

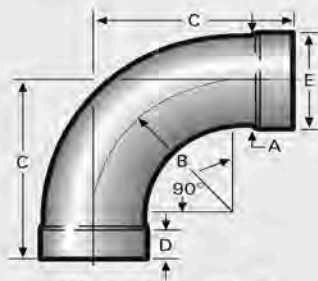
- Carbon
- Stainless
- Aluminum
- Galvanized Steel



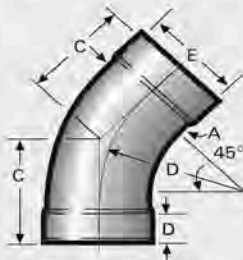
90° Standard Radius Elbow



45° Standard Radius Elbow



90° Short Radius Elbow



45° Short Radius Elbow

Standard Radius Elbows

- 30° AND 60° ELBOWS AVAILABLE
- 11 GAUGE ELBOWS AVAILABLE (STRAIGHT ENDS ONLY)
- EXPANDED ENDS STANDARD THROUGH 6" SIZE
- EXPANDED ONE END AVAILABLE
- STRAIGHT ENDS AVAILABLE ON ALL SIZES BY REQUEST

A (OD)	B (CLR)	GAUGE	TAN.	C	90° PART NO.	C	45° PART NO.
2-1/8"	5"	16	2"	7"	EL-212	4-1/16"	EL-211
2-1/2"	6"	16	2"	8"	EL-252	4-1/2"	EL-251
3"	7-1/2"	16	2"	9-1/2"	EL-302	5-1/8"	EL-301
3-1/2"	8-3/4"	16	2"	10-3/4"	EL-352	5-5/8"	EL-351
4"	10"	16	2"	12"	EL-402	6-1/8"	EL-401
5"	12-1/2"	14	2-5/8"	15-1/8"	EL-502	7-13/16"	EL-501
6"	15"	14	3-1/4"	18-1/4"	EL-602	9-7/16"	EL-601
8"	20"	14	4-1/4"	24-1/4"	EL-802	12-9/16"	EL-801
10"	32"	12	15"	47"	EL-1002*	28-1/4"	EL-1001*
12"	36"	12	6-1/4"	42-1/4"	EL-1202**	21-5/32"	EL-1201**
14"	36"	12	7-1/4"	43-1/4"	EL-1402**	22-5/32"	EL-1401**

- EXPANSION DEPTH FOR STANDARD AND SHORT RADIUS ELBOWS: 1-3/8" THROUGH 4" OD AND 1-5/8" FOR 5" AND 6" OD
- STAINLESS PARTS (10" OR LARGER OD) ARE SEGMENTED
- STAINLESS PARTS ARE SEGMENTED
- ** SEGMENTED

Short Radius Elbows

- 30° AND 60° ELBOWS AVAILABLE
- 11 GAUGE ELBOWS AVAILABLE (STRAIGHT ENDS ONLY)
- EXPANDED ENDS STANDARD THROUGH 6" SIZE
- EXPANDED ONE END AVAILABLE
- STRAIGHT ENDS AVAILABLE ON ALL SIZES BY REQUEST

A (OD)	B (CLR)	GAUGE	TAN.	C	90° PART NO.	C	45° PART NO.
2-1/8"	3-1/2"	16	2"	5-1/2"	SR-212	3-7/16"	SR-211
2-1/2"	4"	16	2"	6"	SR-252	3-21/32"	SR-251
3"	4-1/2"	16	2"	6-1/2"	SR-342	3-7/8"	SR-341
3-1/2"	5"	16	2"	7"	SR-352	4-1/16"	SR-351
4"	6"	16	2"	8"	SR-442	4-1/2"	SR-441
5"	7-1/2"	14	2-5/8"	10-1/8"	SR-542	5-23/32"	SR-541
6"	9"	14	3-1/4"	12-1/4"	SR-642	6-31/32"	SR-641
8"	12"	14	4-1/4"	16-1/4"	SR-842	9-7/32"	SR-841

- EXPANSION DEPTH FOR STANDARD AND SHORT RADIUS ELBOWS: 1-3/8" THROUGH 4" OD AND 1-5/8" FOR 5" AND 6" OD

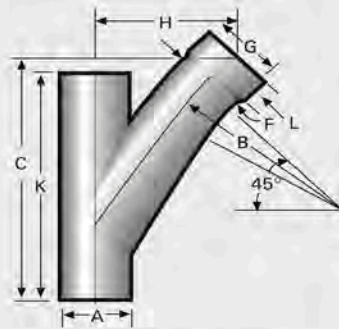
KEY

OD = Outside Diameter
 CLR = Center Line Radius
 TAN = Tangent Length
 D = Expansion Depth 1-3/8" through 4" OD, 1-5/8" for 5" and 6" OD
 E = Inside Diameter (ID) = A Outside Diameter (OD)
 All reference dimensions are nominal.

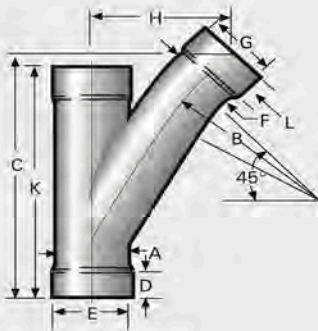
Fittings

When Ordering,
Please Specify
Type of Material:

- Carbon
- Stainless
- Aluminum
- Galvanized Steel



45° YL
(one end expanded)



45° YL
(three ends expanded)

KEY

OD = Outside Diameter
D = Expansion Depth 1-3/8" through 4" OD, 1-5/8" for 5" and 6" OD
A = Outside Diameter (OD) = E Inside Diameter (ID)
F = Outside Diameter (OD) = G Inside Diameter (ID)
L = Expansion Depth 1-3/8" through 4" OD, 1-5/8" for 5" and 6" OD
All reference dimensions are nominal.

Standard 45° YL's

- 2-1/8" through 14" OD
- Wall Thickness: 16, 14, 12, (11 Gauge Available in Straight Ends Only)
- (16 Gauge: 2-1/8" to 4" OD) (14 Gauge: 5" to 8" OD) (12 Gauge: 10" to 14" OD)
- Materials: Carbon, Stainless, Aluminum, Galvanized Steel

- 11 GAUGE YL'S AVAILABLE (STRAIGHT ENDS ONLY)
- STRAIGHT AND EXPANDED COMBINATIONS AVAILABLE
- STRAIGHT ENDS AVAILABLE ON ALL SIZES BY REQUEST

SIZE	GAUGE	A (OD)	B	C	F (OD)	H	K	PART NO.
2-1/8"	16	2-1/8"	5"	9-3/32"	2-1/8"	4-11/16"	9-1/2"	YL-2151
2-1/2" X 2-1/8"	16	2-1/2"	5"	9-9/32"	2-1/8"	4-7/8"	10"	YL-2551
2-1/2"	16	2-1/2"	6"	10-5/32"	2-1/2"	5-3/16"	10"	YL-2561
3" X 2-1/8"	16	3"	5"	9-17/32"	2-1/8"	5-1/8"	10-1/2"	YL-3051
3" X 2-1/2"	16	3"	6"	10-13/32"	2-1/2"	5-7/16"	10-1/2"	YL-3061
3"	16	3"	7-1/2"	11-19/32"	3"	5-29/32"	11-1/2"	YL-3071
3-1/2" X 2-1/8"	16	3-1/2"	5"	9-25/32"	2-1/8"	5-3/8"	11"	YL-3551
3-1/2" X 2-1/2"	16	3-1/2"	6"	10-21/32"	2-1/2"	5-11/16"	11"	YL-3561
3-1/2" X 3"	16	3-1/2"	7-1/2"	11-27/32"	3"	6-5/32"	13"	YL-3571
3-1/2"	16	3-1/2"	8-3/4"	12-31/32"	3-1/2"	6-9/16"	13"	YL-3581
4" X 2-1/8"	16	4"	5"	10-1/32"	2-1/8"	5-5/8"	12"	YL-4051
4" X 2-1/2"	16	4"	6"	10-29/32"	2-1/2"	5-15/16"	12"	YL-4061
4" X 3"	16	4"	7-1/2"	12-3/32"	3"	6-13/32"	12"	YL-4071
4" X 3-1/2"	16	4"	8-3/4"	13-7/32"	3-1/2"	6-13/16"	14"	YL-4081
4"	16	4"	10"	14-11/32"	4"	7-1/4"	14"	YL-4091
5" X 2-1/8"	14	5"	5"	10-17/32"	2-1/8"	6-1/8"	13"	YL-5051
5" X 2-1/2"	14	5"	6"	11-13/32"	2-1/2"	6-7/16"	13"	YL-5061
5" X 3"	14	5"	7-1/2"	12-19/32"	3"	6-29/32"	15-1/2"	YL-5071
5" X 3-1/2"	14	5"	8-3/4"	13-23/32"	3-1/2"	7-5/16"	15-1/2"	YL-5081
5" X 4"	14	5"	10"	14-27/32"	4"	7-3/4"	15-1/2"	YL-5091
5"	14	5"	12-1/2"	17-9/16"	5"	9"	18-1/2"	YL-5151
6" X 2-1/8"	14	6"	5"	11-1/32"	2-1/8"	6-5/8"	15"	YL-6051
6" X 2-1/2"	14	6"	6"	11-29/32"	2-1/2"	6-15/16"	15"	YL-6061
6" X 3"	14	6"	7-1/2"	13-3/32"	3"	7-13/32"	15"	YL-6071
6" X 3-1/2"	14	6"	8-3/4"	14-7/32"	3-1/2"	7-13/16"	17"	YL-6081
6" X 4"	14	6"	10"	15-11/32"	4"	8-1/4"	17"	YL-6091
6" X 5"	14	6"	12-1/2"	18-1/16"	5"	9-1/2"	21"	YL-6141
6"	14	6"	15"	20-25/32"	6"	10-25/32"	21"	YL-6151
8" X 2-1/8"	14	8"	5"	12-1/32"	2-1/8"	7-5/8"	18"	YL-8051
8" X 2-1/2"	14	8"	6"	12-29/32"	2-1/2"	7-15/16"	18"	YL-8061
8" X 3"	14	8"	7-1/2"	14-3/32"	3"	8-13/32"	18"	YL-8071
8" X 3-1/2"	14	8"	8-3/4"	15-7/32"	3-1/2"	8-13/16"	21"	YL-8081
8" X 4"	14	8"	10"	16-11/32"	4"	9-1/4"	21"	YL-8091
8" X 5"	14	8"	12-1/2"	19-1/16"	5"	10-1/2"	24"	YL-8141
8" X 6"	14	8"	15"	21-25/32"	6"	11-25/32"	24"	YL-8151
8"	14	8"	20"	27"	8"	14-5/32"	29"	YL-8161
10" X 2-1/8"	12	10"	5"	13-1/32"	2-1/8"	8-5/8"	21"	YL-10051

- EXPANDED ENDS STANDARD THROUGH 6" SIZE
- SEGMENTED

Fittings

*When Ordering,
Please Specify
Type of Material:*

- Carbon
- Stainless
- Aluminum
- Galvanized Steel

Standard 45° YL's - cont.

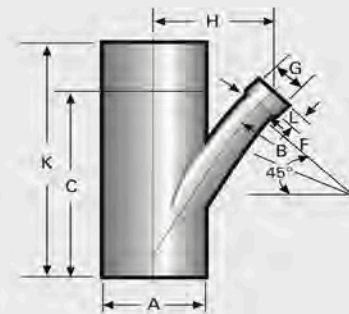
- 11 GAUGE YL'S AVAILABLE (STRAIGHT ENDS ONLY)
- STRAIGHT AND EXPANDED COMBINATIONS AVAILABLE
- STRAIGHT ENDS AVAILABLE ON ALL SIZES BY REQUEST

SIZE	GAUGE	A (OD)	B	C	F (OD)	H	K	PART NO.
10" X 2-1/2"	12	10"	6"	13-29/32"	2-1/2"	8-15/16"	21"	YL-10061
10" X 3"	12	10"	7-1/2"	15-3/32"	3"	9-13/32"	21"	YL-10071
10" X 3-1/2"	12	10"	8-3/4"	16-7/32"	3-1/2"	9-13/16"	24"	YL-10081
10" X 4"	12	10"	10"	17-11/32"	4"	10-1/4"	24"	YL-10091
10" X 5"	12	10"	12-1/2"	20-1/16"	5"	11-1/2"	24"	YL-10141
10" X 6"	12	10"	15"	22-3/4"	6"	12-25/32"	28"	YL-10151
10" X 8"	12	10"	20"	28"	8"	15-5/32"	32"	YL-10161
10"	12	10"	32"	34-11/16"	10"	18-5/8"	36"	YL-10171
12" X 2-1/8"	12	12"	5"	14-1/32"	2-1/8"	9-5/8"	24"	YL-12051
12" X 2-1/2"	12	12"	6"	14-29/32"	2-1/2"	9-31/32"	24"	YL-12061
12" X 3"	12	12"	7-1/2"	16-3/32"	3"	10-13/32"	24"	YL-12071
12" X 3-1/2"	12	12"	8-3/4"	17-7/32"	3-1/2"	10-13/16"	27"	YL-12081
12" X 4"	12	12"	10"	18-11/32"	4"	11-1/4"	27"	YL-12091
12" X 5"	12	12"	12-1/2"	21-1/16"	5"	12-1/2"	27"	YL-12141
12" X 6"	12	12"	15"	23-3/4"	6"	13-25/32"	31"	YL-12151
12" X 8"	12	12"	20"	29"	8"	16-5/32"	35"	YL-12161
12" X 10"	12	12"	32"	35-11/16"	10"	19-5/8"	39"	YL-12171
12"	12	12"	36"	40-3/4"	12"	21-27/32"	43"	YL-12181
14" X 8"	12	14"	20"	30"	8"	17-5/32"	38"	YL-14161
14" X 10"	12	14"	32"	36-11/32"	10"	20-5/8"	42"	YL-14171
14" X 12"	12	14"	36"	41-3/4"	12"	22-27/32"	46"	YL-14181
14"	12	14"	36"	45-15/16"	14"	24-13/32"	52"	YL-14191

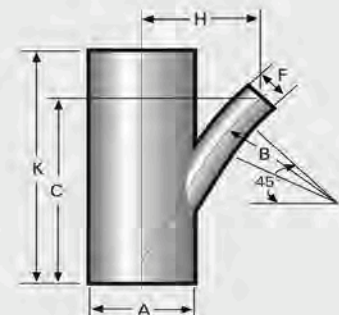
- EXPANDED ENDS STANDARD THROUGH 6" SIZE
- * SEGMENTED

KEY

OD = Outside Diameter
 F = Outside Diameter (OD) = G = Inside Diameter
 L = Expansion Depth 1-3/8" through 4" OD, 1-5/8" for 5" and 6" OD
 All reference dimensions are nominal.



45° YL
(one end expanded)

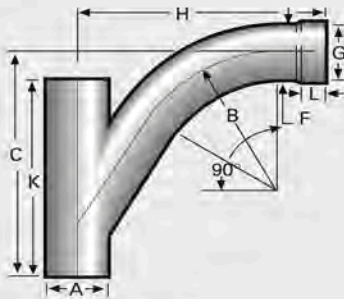


45° YL
(straight ends)

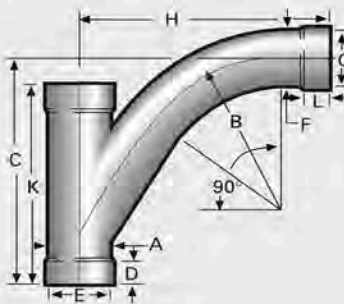
Fittings

When Ordering,
Please Specify
Type of Material:

- Carbon
- Stainless
- Aluminum
- Galvanized Steel



90° TY
(one end expanded)



90° TY
(three ends expanded)

KEY

OD = Outside Diameter
D = Expansion Depth 1-3/8"
through 4" OD, 1-5/8" for
5" and 6" OD
A = Outside Diameter (OD) = E
Inside Diameter (ID)
F = Outside Diameter (OD) = G
Inside Diameter (ID)
L = Expansion Depth 1-3/8"
through 4" OD, 1-5/8" for
5" and 6" OD
All reference dimensions are
nominal.

Standard 90° TY's

- 2-1/8" through 14" OD
- Wall Thickness: 16, 14, 12, (11 Gauge Available in Straight Ends Only)
- (16 Gauge: 2-1/8" to 4" OD) (14 Gauge: 5" to 8" OD) (12 Gauge: 10" to 14" OD)
- Materials: Carbon, Stainless, Aluminum, Galvanized Steel

- 11 GAUGE TY'S AVAILABLE (STRAIGHT ENDS ONLY)
- STRAIGHT AND EXPANDED COMBINATIONS AVAILABLE
- STRAIGHT ENDS AVAILABLE ON ALL SIZES BY REQUEST

SIZE	GAUGE	A (OD)	B	C	F (OD)	H	K	PART NO.
2-1/8"	16	2-1/8"	5"	9-5/32"	2-1/8"	8-13/16"	9-1/2"	TY-215
2-1/2" x 2-1/8"	16	2-1/2"	5"	9-11/32"	2-1/8"	9"	10"	TY-255
2-1/2"	16	2-1/2"	6"	10-1/2"	2-1/2"	10-1/32"	10"	TY-256
3" x 2-1/8"	16	3"	5"	9-19/32"	2-1/8"	9-1/4"	10-1/2"	TY-305
3" x 2-1/2"	16	3"	6"	10-3/4"	2-1/2"	10-9/32"	10-1/2"	TY-306
3"	16	3"	7-1/2"	12-3/8"	3"	11-25/32"	11-1/2"	TY-307
3-1/2" x 2-1/8"	16	3-1/2"	5"	9-27/32"	2-1/8"	9-1/2"	11"	TY-355
3-1/2" x 2-1/2"	16	3-1/2"	6"	11"	2-1/2"	10-17/32"	11"	TY-356
3-1/2" x 3"	16	3-1/2"	7-1/2"	12-5/8"	3"	12-1/32"	13"	TY-357
3-1/2"	16	3-1/2"	8-3/4"	14-1/8"	3-1/2"	13-11/32"	13"	TY-358
4" x 2-1/8"	16	4"	5"	10-3/32"	2-1/8"	9-3/4"	12"	TY-405
4" x 2-1/2"	16	4"	6"	11-1/4"	2-1/2"	10-25/32"	12"	TY-406
4" x 3"	16	4"	7-1/2"	12-7/8"	3"	12-9/32"	12"	TY-407
4" x 3-1/2"	16	4"	8-3/4"	14-3/8"	3-1/2"	13-19/32"	14"	TY-408
4"	16	4"	10"	15-7/8"	4"	14-29/32"	14"	TY-409
5" x 2-1/8"	14	5"	5"	10-19/32"	2-1/8"	10-1/4"	13"	TY-505
5" x 2-1/2"	14	5"	6"	11-3/4"	2-1/2"	11-9/32"	13"	TY-506
5" x 3"	14	5"	7-1/2"	13-3/8"	3"	12-25/32"	15-1/2"	TY-507
5" x 3-1/2"	14	5"	8-3/4"	14-7/8"	3-1/2"	14-3/32"	15-1/2"	TY-508
5" x 4"	14	5"	10"	16-3/8"	4"	15-13/32"	15-1/2"	TY-509
5"	14	5"	12-1/2"	19-3/8"	5"	18-5/8"	18-1/2"	TY-515
6" x 2-1/8"	14	6"	5"	11-3/32"	2-1/8"	10-3/4"	15"	TY-605
6" x 2-1/2"	14	6"	6"	12-1/4"	2-1/2"	11-25/32"	15"	TY-606
6" x 3"	14	6"	7-1/2"	13-7/8"	3"	13-9/32"	15"	TY-607
6" x 3-1/2"	14	6"	8-3/4"	15-3/8"	3-1/2"	14-19/32"	17"	TY-608
6" x 4"	14	6"	10"	16-7/8"	4"	15-29/32"	17"	TY-609
6" x 5"	14	6"	12-1/2"	19-7/8"	5"	19-1/8"	21"	TY-614
6"	14	6"	15"	22-7/8"	6"	22-11/32"	21"	TY-615
8" x 2-1/8"	14	8"	5"	12-3/32"	2-1/8"	11-3/4"	18"	TY-805
8" x 2-1/2"	14	8"	6"	13-1/4"	2-1/2"	12-25/32"	18"	TY-806
8" x 3"	14	8"	7-1/2"	14-7/8"	3"	14-9/32"	18"	TY-807
8" x 3-1/2"	14	8"	8-3/4"	16-3/8"	3-1/2"	15-19/32"	21"	TY-808
8" x 4"	14	8"	10"	17-7/8"	4"	16-29/32"	21"	TY-809
8" x 5"	14	8"	12-1/2"	20-7/8"	5"	20-1/8"	24"	TY-814
8" x 6"	14	8"	15"	23-7/8"	6"	23-11/32"	24"	TY-815
8"	14	8"	20"	29-7/8"	8"	29-17/32"	29"	TY-816
10" x 2-1/8"	12	10"	5"	13-3/32"	2-1/8"	12-3/4"	21"	TY-1005

- EXPANDED ENDS STANDARD THROUGH 6" SIZE
- SEGMENTED

Fittings

*When Ordering,
Please Specify
Type of Material*

- Carbon
- Stainless
- Aluminum
- Galvanized Steel

Standard 45° YL's - cont.

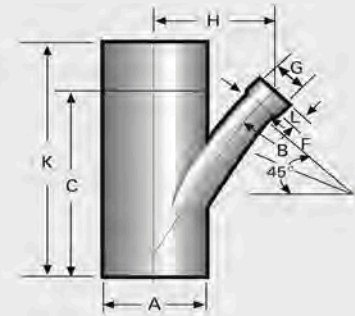
- 11 GAUGE YL'S AVAILABLE (STRAIGHT ENDS ONLY)
- STRAIGHT AND EXPANDED COMBINATIONS AVAILABLE
- STRAIGHT ENDS AVAILABLE ON ALL SIZES BY REQUEST

SIZE	GAUGE	A (OD)	B	C	F (OD)	H	K	PART NO.
10" X 2-1/2"	12	10"	6"	13-29/32"	2-1/2"	8-15/16"	21"	YL-10061
10" X 3"	12	10"	7-1/2"	15-3/32"	3"	9-13/32"	21"	YL-10071
10" X 3-1/2"	12	10"	8-3/4"	16-7/32"	3-1/2"	9-13/16"	24"	YL-10081
10" X 4"	12	10"	10"	17-11/32"	4"	10-1/4"	24"	YL-10091
10" X 5"	12	10"	12-1/2"	20-1/16"	5"	11-1/2"	24"	YL-10141
10" X 6"	12	10"	15"	22-3/4"	6"	12-25/32"	28"	YL-10151
10" X 8"	12	10"	20"	28"	8"	15-5/32"	32"	YL-10161
10"	12	10"	32"	34-11/16"	10"	18-5/8"	36"	YL-10171
12" X 2-1/8"	12	12"	5"	14-1/32"	2-1/8"	9-5/8"	24"	YL-12051
12" X 2-1/2"	12	12"	6"	14-29/32"	2-1/2"	9-31/32"	24"	YL-12061
12" X 3"	12	12"	7-1/2"	16-3/32"	3"	10-13/32"	24"	YL-12071
12" X 3-1/2"	12	12"	8-3/4"	17-7/32"	3-1/2"	10-13/16"	27"	YL-12081
12" X 4"	12	12"	10"	18-11/32"	4"	11-1/4"	27"	YL-12091
12" X 5"	12	12"	12-1/2"	21-1/16"	5"	12-1/2"	27"	YL-12141
12" X 6"	12	12"	15"	23-3/4"	6"	13-25/32"	31"	YL-12151
12" X 8"	12	12"	20"	29"	8"	16-5/32"	35"	YL-12161
12" X 10"	12	12"	32"	35-11/16"	10"	19-5/8"	39"	YL-12171
12"	12	12"	36**	40-3/4"	12"	21-27/32"	43"	YL-12181
14" X 8"	12	14"	20"	30"	8"	17-5/32"	38"	YL-14161
14" X 10"	12	14"	32"	36-11/32"	10"	20-5/8"	42"	YL-14171
14" X 12"	12	14"	36**	41-3/4"	12"	22-27/32"	46"	YL-14181
14"	12	14"	36**	45-15/16"	14"	24-13/32"	52"	YL-14191

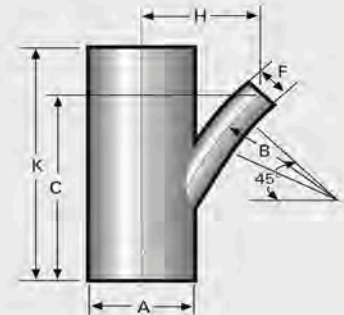
- EXPANDED ENDS STANDARD THROUGH 6" SIZE
- * SEGMENTED

KEY

OD = Outside Diameter
 F = Outside Diameter (OD) = G = Inside Diameter
 L = Expansion Depth 1-3/8" through 4" OD, 1-5/8" for 5" and 6" OD
 All reference dimensions are nominal.



45° YL
(one end expanded)

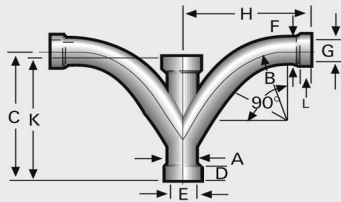


45° YL
(straight ends)

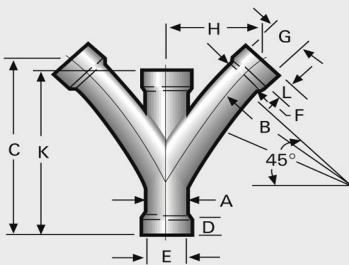
Fittings

When Ordering,
Please Specify
Type of Material:

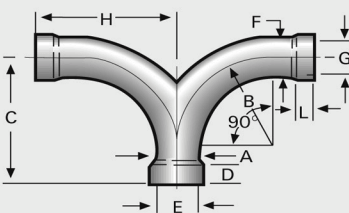
- Carbon
- Stainless
- Aluminum
- Galvanized Steel



Standard Double 90° TY



Standard Double 45° YL



Standard Double 90° Y

KEY

OD = Outside Diameter
D = Expansion Depth 1-3/8" through 4" OD, 1-5/8" for 5" and 6" OD
A = Outside Diameter (OD) = E Inside Diameter (ID)
F = Outside Diameter (OD) = G Inside Diameter (ID)
L = Expansion Depth 1-3/8" through 4" OD, 1-5/8" for 5" and 6" OD
All reference dimensions are nominal.

Standard Double Y's

- 2-1/8" through 6" OD
- Wall Thickness: 16, 14, (11 Gauge Available in Straight Ends Only)
- (16 Gauge: 2-1/8" to 4" OD) (14 Gauge: 5" to 6" OD)
- Materials: Carbon, Stainless, Aluminum, Galvanized Steel

Standard Double 90° TY's

- 11 GAUGE Y'S AVAILABLE (STRAIGHT ENDS ONLY)
- STRAIGHT AND EXPANDED COMBINATIONS AVAILABLE
- STRAIGHT ENDS AVAILABLE ON ALL SIZES BY REQUEST

SIZE	GAUGE	A (OD)	B	C	F (OD)	H	K	PART NO.
2-1/8"	16	2-1/8"	5"	9-5/32"	2-1/8"	8-13/16"	9-1/2"	DTY-215
2-1/2"	16	2-1/2"	6"	10-1/2"	2-1/2"	10-1/32"	10"	DTY-256
3"	16	3"	7-1/2"	12-3/8"	3"	11-25/32"	11-1/2"	DTY-307
3-1/2"	16	3-1/2"	8-3/4"	14-1/8"	3-1/2"	13-11/32"	13"	DTY-358
4"	16	4"	10"	15-7/8"	4"	14-29/32"	14"	DTY-409
5"	14	5"	12-1/2"	19-3/8"	5"	18-5/8"	18-1/2"	DTY-515
6"	14	6"	15"	22-7/8"	6"	22-11/32"	21"	DTY-615

- EXPANDED ENDS STANDARD

Standard Double 45° YL's

- 11 GAUGE Y'S AVAILABLE (STRAIGHT ENDS ONLY)
- STRAIGHT AND EXPANDED COMBINATIONS AVAILABLE
- STRAIGHT ENDS AVAILABLE ON ALL SIZES BY REQUEST

SIZE	GAUGE	A (OD)	B	C	F (OD)	H	K	PART NO.
2-1/8"	16	2-1/8"	5"	9-3/32"	2-1/8"	4-11/16"	9-1/2"	DYL-2151
2-1/2"	16	2-1/2"	6"	10-5/32"	2-1/2"	5-3/16"	10"	DYL-2561
3"	16	3"	7-1/2"	11-19/32"	3"	5-29/32"	11-1/2"	DYL-3071
3-1/2"	16	3-1/2"	8-3/4"	12-31/32"	3-1/2"	6-9/16"	13"	DYL-3581
4"	16	4"	10"	14-11/32"	4"	7-1/4"	14"	DYL-4091
5"	14	5"	12-1/2"	17-9/16"	5"	9"	18-1/2"	DYL-5151
6"	14	6"	15"	20-25/32"	6"	10-15/32"	21"	DYL-6151

- EXPANDED ENDS STANDARD

Standard Double 90° Y's

- 11 GAUGE Y'S AVAILABLE (STRAIGHT ENDS ONLY)
- STRAIGHT AND EXPANDED COMBINATIONS AVAILABLE
- STRAIGHT ENDS AVAILABLE ON ALL SIZES BY REQUEST

SIZE	GAUGE	A (OD)	B	C	F (OD)	H	K	PART NO.
2-1/8"	16	2-1/8"	5"	7"	2-1/8"	7"	-	DY-215
2-1/2"	16	2-1/2"	6"	8"	2-1/2"	8"	-	DY-256
3"	16	3"	7-1/2"	9-1/2"	3"	9-1/2"	-	DY-307
3-1/2"	16	3-1/2"	8-3/4"	10-3/4"	3-1/2"	10-3/4"	-	DY-358
4"	16	4"	10"	12"	4"	12"	-	DY-409
5"	14	5"	12-1/2"	15-1/8"	5"	15-1/8"	-	DY-515
6"	14	6"	15"	18-1/4"	6"	18-1/4"	-	DY-615

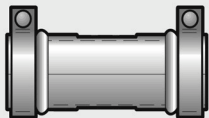
- EXPANDED ENDS STANDARD

Methods of Joining

INSTALOK™ Specifications

- 1-1/2" OD to 6" OD
- 20% Lower cost than traditional couplings
- 30% Quicker installation
- Couplings have a unique clamping design that offers unparalleled strength and grip
- Made with Grade 5 stress relieved bolts to ensure durability
- Standard O-ring is black nitrile
- Viton O-rings are also available
- Galvanized Steel Construction

We also offer replacement O-rings, nuts, bolts and clamps



SPECIAL SERVICES

- Shot Peening
- Spiral Grooving
- Porcelain Lining
- Ceramic Coating
- Part Variations



INSTALOK™ COUPLINGS

Bold Type Designates a Stock Item

OD	NPS	O-RING	LENGTH	PRODUCT ID
1-1/2"		Black	4"	CP15042B-16Z
1-1/2"		White	4"	CP15042W-16Z
1-1/2"		Black	6"	CP15062B-16Z
1-1/2"		White	6"	CP15062W-16Z
1-3/4"		Black	4"	CP17542B-16Z
1-3/4"		White	4"	CP17542W-16Z
1-3/4"		Black	6"	CP17562B-16Z
1-3/4"		White	6"	CP17562W-16Z
2"		Black	4"	CP20042B-16Z
2"		White	4"	CP20042W-16Z
2"		Black	6"	CP20062B-16Z
2"		White	6"	CP20062W-16Z
2-1/8"		Black	4"	CP21242B-16Z
2-1/8"		White	4"	CP21242W-16Z
2-1/8"		Black	6"	CP21262B-16Z
2-1/8"		White	6"	CP21262W-16Z
2-1/4"		Black	4"	CP22542B-16Z
2-1/4"		White	4"	CP22542W-16Z
2-1/4"		Black	6"	CP22562B-16Z
2-1/4"		White	6"	CP22562W-16Z
2-3/8"	2"	Black	4"	CP237542B-16Z
2-3/8"	2"	White	4"	CP237542W-16Z
2-3/8"	2"	Black	6"	CP237562B-16Z
2-3/8"	2"	White	6"	CP237562W-16Z
2-3/8"	2"	Black	8"	CP237582B-16Z
2-3/8"	2"	White	8"	CP237582W-16Z
2-1/2"		Black	4"	CP25042B-16Z
2-1/2"		White	4"	CP25042W-16Z
2-1/2"		Black	6"	CP25062B-16Z
2-1/2"		White	6"	CP25062W-16Z
2-1/2"		Black	8"	CP25082B-16Z
2-1/2"		White	8"	CP25082W-16Z
2-7/8"	2-1/2"	Black	4"	CP287542B-16Z
2-7/8"	2-1/2"	White	4"	CP287542W-16Z
2-7/8"	2-1/2"	Black	6"	CP287562B-16Z
2-7/8"	2-1/2"	White	6"	CP287562W-16Z
2-7/8"	2-1/2"	Black	8"	CP287582B-16Z
2-7/8"	2-1/2"	White	8"	CP287582W-16Z

*Order by
Product ID Number
Only*

Can't Find What You Need? Call Us!
Catalog Part Variations Available Upon Request.

Methods of Joining

INSTALOK™ COUPLINGS

Bold Type Designates a Stock Item

OD	NPS	O-RING	LENGTH	PRODUCT ID
3"		Black	4"	CP30042B-16Z
3"		White	4"	CP30042W-16Z
3"		Black	6"	CP30062B-16Z
3"		White	6"	CP30062W-16Z
3"		Black	8"	CP30082B-16Z
3"		White	8"	CP30082W-16Z
3-1/2"	3"	Black	4"	CP35042B-16Z
3-1/2"	3"	White	4"	CP35042W-16Z
3-1/2"	3"	Black	6"	CP35062B-16Z
3-1/2"	3"	White	6"	CP35062W-16Z
3-1/2"	3"	Black	8"	CP35082B-16Z
3-1/2"	3"	White	8"	CP35082W-16Z
4"	3-1/2"	Black	4"	CP40042B-16Z
4"	3-1/2"	White	4"	CP40042W-16Z
4"	3-1/2"	Black	6"	CP40062B-16Z
4"	3-1/2"	White	6"	CP40062W-16Z
4"	3-1/2"	Black	8"	CP40082B-16Z
4"	3-1/2"	White	8"	CP40082W-16Z
4-1/2"	4"	Black	6"	CP45062B-16Z
4-1/2"	4"	White	6"	CP45062W-16Z
4-1/2"	4"	Black	8"	CP45082B-16Z
4-1/2"	4"	White	8"	CP45082W-16Z
5"		Silicone	8"	CP50082S-16Z
6"		Silicone	8"	CP60082S-16Z

*Order by
Product ID Number
Only*

INSTALOK™ Dust Cap Specifications

- 1-1/2" OD to 4" OD
- Utilizes the same unique clamping design as the INSTALOK Coupling
- Great for sealing exposed/unused material handling lines
- Non-permanent and completely reusable

*We also offer replacement
O-rings, nuts, and bolts*



INSTALOK™ Dust Caps

OD	NPS	O-RING	LENGTH	PRODUCT ID
1-1/2"		Black	3"	DC-150-B
1-3/4"		Black	3"	DC-175-B
2"		Black	3"	DC-200-B
2-1/4"		Black	3"	DC-225-B
2-1/2"		Black	3"	DC-250-B
3"		Black	3"	DC-300-B
4"	3-1/2"	Black	3"	DC-400-B

*Bold Type Designates
a Stock Item*

*Order by
Product ID Number
Only*

TERMINOLOGY

CLR = Center Line Radius
ERW = Electric Welded Resistance
FNPT = Female National Pipe Thread
ID = Inside Diameter
MNPT = Male National Pipe Thread
NPS = Nominal Pipe Size
OD = Outside Diameter
SCH = Schedule

*All reference dimensions
are nominal.*

37

H-P Products, Inc. • 800.860.TUBE (8823)

Fax: 330.875.7155 • www.metflo.com

© 2007 H-P Products, Inc.

Inlet Valves

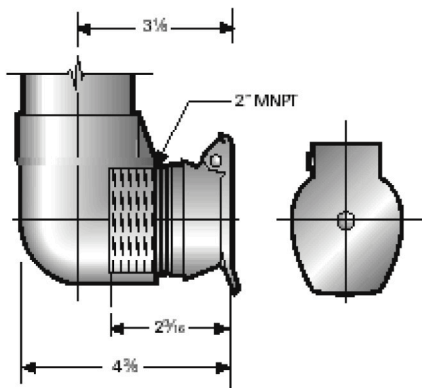
BORE	MNPT	PART NO.
1.5"	2.0"	IV-150
1.8"	2.0"	IV-180
2.0"	2.0"	IV-200
2.0"	2.0"	IV-200-CLIP

Escutcheon Plates

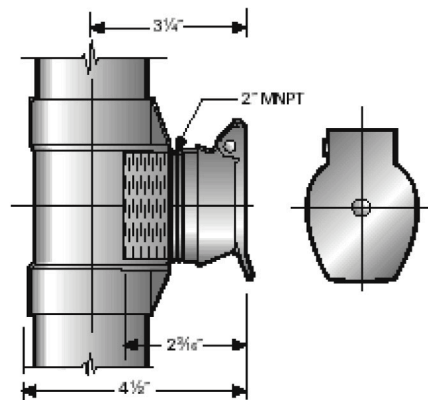
TYPE	PART NO.
Zinc	10253
Stainless	23939
Nickel	25079

Inlet Valve Accessories for Installation & Operation

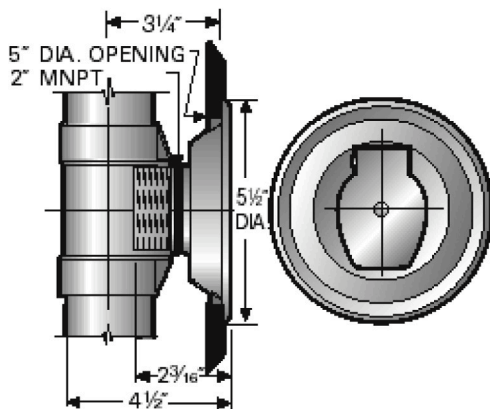
HOSE ADAPTER PART NO.	FOR HOSE SIZE	INLET VALVE PART NO.	WRENCH PART NO.
HA-150	1-1/2" ID	IV-150 accepts 1-1/2" OD Hose Adapter	VW-150
HA-180	1-1/2" ID	IV-180 accepts 1.8" OD Hose Adapter	VW-180
HA-200	2" ID	IV-200 accepts 2" OD Hose Adapter	VW-180
HA-200-RING	2" ID	IV-200-CLIP accepts 2" OD Hose Adapter	VW-180



Valve shown in 90° adapter elbow (Part No. AE-211)



Valve shown in tube fitting (Part No. AT-212)



Valve with escutcheon and tee fitting.
Can also be used with 90° adapter elbow



Inlet Valve with escutcheon
being tightened into place with installation wrench

KEY

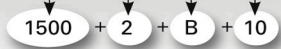
FNPT = Female National Pipe Thread
MNPT = Male National Pipe Thread

Methods of Joining

To determine your part number when ordering:

Use **Product ID** plus **Bolts** plus **Gasket** plus **Protector**.

PRODUCT ID# BOLTS GASKET PROTECTOR



Compression couplings are available with and without gasket protectors.

In the protector column:
11 = with gasket protector
10 = no gasket protector

MetFlo[®] Compression Couplings

Bold Type Designates a Stock Item

SIZE	ID	NPS SIZE	METRIC	PRODUCT ID	BOLTS	GASKET	PROTECTOR	LENGTH
1-1/2"	1.500		38.1	1500	2	B	10	4
	1.500		38.1	1500	2	B	11	4
	1.500		38.1	1500	2	W	10	4
	1.500		38.1	1500	2	W	11	4
	1.500		38.1	1500	3	B	10	6
	1.500		38.1	1500	3	B	11	6
	1.500		38.1	1500	3	W	10	6
	1.500		38.1	1500	3	W	11	6
1-3/4"	1.750		44.45	1750	2	B	10	4
	1.750		44.45	1750	2	B	11	4
	1.750		44.45	1750	2	W	10	4
	1.750		44.45	1750	2	W	11	4
	1.750		44.45	1750	3	B	10	6
	1.750		44.45	1750	3	B	11	6
	1.750		44.45	1750	3	W	10	6
	1.750		44.45	1750	3	W	11	6
1-29/32"	1.900	1-1/2"	48.26	1900	2	B	10	4
	1.900	1-1/2"	48.26	1900	2	B	11	4
	1.900	1-1/2"	48.26	1900	2	W	10	4
	1.900	1-1/2"	48.26	1900	2	W	11	4
	1.900	1-1/2"	48.26	1900	3	B	10	6
	1.900	1-1/2"	48.26	1900	3	B	11	6
	1.900	1-1/2"	48.26	1900	3	W	10	6
	1.900	1-1/2"	48.26	1900	3	W	11	6
2"	2.000		50.8	2000	2	B	10	4
	2.000		50.8	2000	2	B	11	4
	2.000		50.8	2000	2	W	10	4
	2.000		50.8	2000	2	W	11	4
	2.000		50.8	2000	3	B	10	6
	2.000		50.8	2000	3	B	11	6
	2.000		50.8	2000	3	W	10	6
	2.000		50.8	2000	3	W	11	6
2-1/8"	2.125		53.975	2125	2	B	10	4
	2.125		53.975	2125	2	B	11	4
	2.125		53.975	2125	2	W	10	4
	2.125		53.975	2125	2	W	11	4
	2.125		53.975	2125	3	B	10	6
	2.125		53.975	2125	3	B	11	6
	2.125		53.975	2125	3	W	10	6
	2.125		53.975	2125	3	W	11	6
	2.125		53.975	2125	3	R	10	6
	2.125		53.975	2125	3	R	11	6
2-1/4"	2.250		57.15	2250	3	B	10	6
	2.250		57.15	2250	3	B	11	6
	2.250		57.15	2250	3	W	10	6
	2.250		57.15	2250	3	W	11	6

Methods of Joining

MetFlo[®] Compression Couplings *Bold Type Designates a Stock Item*

SIZE	ID	NPS SIZE	METRIC	PRODUCT ID	BOLTS	GASKET	PROTECTOR	LENGTH
2-3/8"	2.375	2"	60.325	2375	3	B	10	6
	2.375	2"	60.325	2375	3	B	11	6
	2.375	2"	60.325	2375	3	W	10	6
	2.375	2"	60.325	2375	3	W	11	6
	2.375	2"	60.325	2375	4	B	10	8
	2.375	2"	60.325	2375	4	B	11	8
	2.375	2"	60.325	2375	4	W	10	8
	2.375	2"	60.325	2375	4	W	11	8
2-1/2"	2.500	63.5	2500	2	B	10	4	4
	2.500	63.5	2500	2	B	11	4	4
	2.500	63.5	2500	2	W	10	4	4
	2.500	63.5	2500	2	W	11	4	4
	2.500	63.5	2500	3	B	10	6	6
	2.500	63.5	2500	3	B	11	6	6
	2.500	63.5	2500	3	R	10	6	6
	2.500	63.5	2500	3	R	11	6	6
	2.500	63.5	2500	3	W	10	6	6
	2.500	63.5	2500	3	W	11	6	6
	2.500	63.5	2500	4	B	10	8	8
	2.500	63.5	2500	4	B	11	8	8
	2.500	63.5	2500	4	W	10	8	8
	2.500	63.5	2500	4	W	11	8	8
2-7/8"	2.875	2.5"	73.025	2875	3	B	10	6
	2.875	2.5"	73.025	2875	3	B	11	6
	2.875	2.5"	73.025	2875	3	W	10	6
	2.875	2.5"	73.025	2875	3	W	11	6
	2.875	2.5"	73.025	2875	3	W	11	6
3"	3.000	76.2	3000	2	B	10	4	4
	3.000	76.2	3000	2	B	11	4	4
	3.000	76.2	3000	2	W	10	4	4
	3.000	76.2	3000	2	W	11	4	4
	3.000	76.2	3000	3	B	10	6	6
	3.000	76.2	3000	3	B	11	6	6
	3.000	76.2	3000	3	W	10	6	6
	3.000	76.2	3000	3	W	11	6	6
	3.000	76.2	3000	3	R	10	6	6
	3.000	76.2	3000	3	R	11	6	6
	3.000	76.2	3000	4	B	10	8	8
	3.000	76.2	3000	4	B	11	8	8
	3.000	76.2	3000	4	W	10	8	8
	3.000	76.2	3000	4	W	11	8	8
	3.000	76.2	3000	4	W	11	8	8
3-1/2"	3.500	3	88.9	3500	3	B	10	6
	3.500	3	88.9	3500	3	B	11	6
	3.500	3	88.9	3500	3	W	10	6
	3.500	3	88.9	3500	3	W	11	6
	3.500	3	88.9	3500	4	B	10	8

Coupling Specifications

- 1-1/2" through 14" OD for tube
- 1-1/2" through 8" NPS for pipe
- The MetFlo[®] Compression Coupling offers superior strength.
- Heavy 16 gauge outer shell on all couplings over 3-1/4" in diameter provides added strength and dimensional stability.
- G90 galvanized exterior coating provides superior corrosion resistance.
- Reinforcement bars are zinc plated steel to provide additional strength and stability.
- Grade 5 stress relieved bolts ensure durability.
- Industry compatible, precision die cut black neoprene gasket ensures a tight seal.
- Stainless steel strip guards against static electricity build-up.

Stainless steel compression couplings available upon request.

Stainless steel gasket protectors are also available.

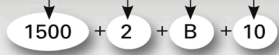
Other gaskets:
White Nitrile
Red Rubber
Silicone
EPDM

Methods of Joining

To determine your part number when ordering:

Use **Product ID** plus **Bolts** plus **Gasket** plus **Protector**.

PRODUCT ID# BOLTS GASKET PROTECTOR



Compression couplings are available with and without gasket protectors.

In the protector column:

11 = with gasket protector
10 = no gasket protector

MetFlo[®] Compression Couplings

Bold Type Designates a Stock Item

SIZE	ID	NPS SIZE	METRIC	PRODUCT ID	BOLTS	GASKET	PROTECTOR	LENGTH
3-1/2"	3.500	3	88.9	3500	4	B	11	8
	3.500	3	88.9	3500	4	W	10	8
	3.500	3	88.9	3500	4	W	11	8
4"	4.000	3.5	101.6	4000	2	B	10	4
	4.000	3.5	101.6	4000	2	B	11	4
	4.000	3.5	101.6	4000	2	W	10	4
	4.000	3.5	101.6	4000	2	W	11	4
	4.000	3.5	101.6	4000	3	B	10	6
	4.000	3.5	101.6	4000	3	B	11	6
	4.000	3.5	101.6	4000	3	R	10	6
	4.000	3.5	101.6	4000	3	R	11	6
	4.000	3.5	101.6	4000	3	W	10	6
	4.000	3.5	101.6	4000	3	W	11	6
	4.000	3.5	101.6	4000	4	B	10	8
	4.000	3.5	101.6	4000	4	B	11	8
	4.000	3.5	101.6	4000	4	W	10	8
4.000	3.5	101.6	4000	4	W	11	8	
4-1/2"	4.500	4	114.3	4500	2	B	10	4
	4.500	4	114.3	4500	2	B	11	4
	4.500	4	114.3	4500	2	W	10	4
	4.500	4	114.3	4500	2	W	11	4
	4.500	4	114.3	4500	3	B	10	6
	4.500	4	114.3	4500	3	B	11	6
	4.500	4	114.3	4500	3	W	10	6
	4.500	4	114.3	4500	3	W	11	6
	4.500	4	114.3	4500	4	B	10	8
	4.500	4	114.3	4500	4	B	11	8
	4.500	4	114.3	4500	4	W	10	8
	4.500	4	114.3	4500	4	W	11	8
	5"	5.000		127	5000	2	B	10
5.000			127	5000	2	B	11	4
5.000			127	5000	2	W	10	4
5.000			127	5000	2	W	11	4
5.000			127	5000	3	B	10	6
5.000			127	5000	3	B	11	6
5.000			127	5000	3	R	10	6
5.000			127	5000	3	R	11	6
5.000			127	5000	3	W	10	6
5.000			127	5000	3	W	11	6
5.000			127	5000	4	B	10	8
5.000			127	5000	4	B	11	8
5.000			127	5000	4	W	10	8
5.000		127	5000	4	W	11	8	
5-9/16"	5.563	5	141.3	5563	3	B	10	6
	5.563	5	141.3	5563	3	B	11	6
	5.563	5	141.3	5563	3	W	10	6
	5.563	5	141.3	5563	3	W	11	6

Methods of Joining

MetFlo[®] Compression Couplings *Bold Type Designates a Stock Item*

SIZE	ID	NPS SIZE	METRIC	PRODUCT ID	BOLTS	GASKET	PROTECTOR	LENGTH
5-9/16"	5.563	5	141.3	5563	4	B	10	8
	5.563	5	141.3	5563	4	B	11	8
	5.563	5	141.3	5563	4	W	10	8
	5.563	5	141.3	5563	4	W	11	8
6"	6.000		152.4	6000	2	B	10	4
	6.000		152.4	6000	2	B	11	4
	6.000		152.4	6000	2	W	10	4
	6.000		152.4	6000	2	W	11	4
	6.000	152.4	6000	3	B	10	6	
	6.000	152.4	6000	3	B	11	6	
	6.000	152.4	6000	3	R	10	6	
	6.000	152.4	6000	3	R	11	6	
	6.000	152.4	6000	3	W	10	6	
	6.000	152.4	6000	3	W	11	6	
	6.000	152.4	6000	4	B	10	8	
	6.000	152.4	6000	4	B	11	8	
	6.000	152.4	6000	4	R	10	8	
	6.000	152.4	6000	4	R	11	8	
	6.000	152.4	6000	4	W	10	8	
	6.000	152.4	6000	4	W	11	8	
6.000	152.4	6000	5	B	10	10		
6.000	152.4	6000	5	B	11	10		
6.000	152.4	6000	5	W	10	10		
6.000	152.4	6000	5	W	11	10		
6-5/8"	6.625	6	168.3	6625	3	B	10	6
	6.625	6	168.3	6625	3	B	11	6
	6.625	6	168.3	6625	3	W	10	6
	6.625	6	168.3	6625	3	W	11	6
	6.625	6	168.3	6625	4	B	10	8
	6.625	6	168.3	6625	4	B	11	8
	6.625	6	168.3	6625	4	W	10	8
	6.625	6	168.3	6625	4	W	11	8
	6.625	6	168.3	6625	5	B	10	10
	6.625	6	168.3	6625	5	B	11	10
	6.625	6	168.3	6625	5	W	10	10
	6.625	6	168.3	6625	5	W	11	10
7"	7.000		177.8	7000	3	B	10	6
	7.000		177.8	7000	3	B	11	6
	7.000		177.8	7000	3	W	10	6
	7.000		177.8	7000	3	W	11	6
	7.000	177.8	7000	4	B	10	8	
	7.000	177.8	7000	4	B	11	8	
	7.000	177.8	7000	4	W	10	8	
	7.000	177.8	7000	4	W	11	8	
8"	8.000		203.2	8000	2	B	10	6
	8.000		203.2	8000	2	B	11	6

Coupling Specifications

- 1-1/2" through 14" OD for tube
- 1-1/2" through 8" NPS for pipe
- The MetFlo[®] Compression Coupling offers superior strength.
- Heavy 16 gauge outer shell on all couplings over 3-1/4" in diameter provides added strength and dimensional stability.
- G90 galvanized exterior coating provides superior corrosion resistance.
- Reinforcement bars are zinc plated steel to provide additional strength and stability.
- Grade 5 stress relieved bolts ensure durability.
- Industry compatible, precision die cut black neoprene gasket ensures a tight seal.
- Stainless steel strip guards against static electricity build-up.

Stainless steel compression couplings available upon request.

Stainless steel gasket protectors are also available.

Other gaskets:

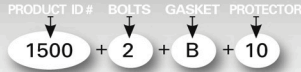
- White Nitrile
- Red Rubber
- Silicone
- EPDM
- Viton

Call for information!

Methods of Joining

To determine your part number when ordering:

Use **Product ID** plus **Bolts** plus **Gasket** plus **Protector**.



Compression couplings are available with and without gasket protectors.

In the protector column:
11 = with gasket protector
10 = no gasket protector

MetFlo[®] Compression Couplings

Bold Type Designates a Stock Item

SIZE	ID	NPS SIZE	METRIC	PRODUCT ID	BOLTS	GASKET	PROTECTOR	LENGTH
8"	8.000		203.2	8000	2	W	10	6
	8.000		203.2	8000	2	W	11	6
	8.000		203.2	8000	3	B	10	8
	8.000		203.2	8000	3	B	11	8
	8.000		203.2	8000	3	R	10	8
	8.000		203.2	8000	3	R	11	8
	8.000		203.2	8000	3	W	10	8
	8.000		203.2	8000	3	W	11	8
	8.000		203.2	8000	4	B	10	10
	8.000		203.2	8000	4	B	11	10
	8.000		203.2	8000	4	R	10	10
	8.000		203.2	8000	4	R	11	10
	8.000		203.2	8000	4	W	10	10
	8.000		203.2	8000	4	W	11	10
	8.000		203.2	8000	5	B	10	12
	8.000		203.2	8000	5	B	11	12
8.000		203.2	8000	5	W	10	12	
8.000		203.2	8000	5	W	11	12	
8-5/8"	8.625	8	219.1	8625	3	B	10	8
	8.625	8	219.1	8625	3	W	10	8
	8.625	8	219.1	8625	4	B	10	10
	8.625	8	219.1	8625	4	W	10	10
9"	9.000		228.6	9000	3	B	10	8
10"	10.000		254.0	10000	3	B	10	8
	10.000		254.0	10000	3	B	11	8
	10.000		254.0	10000	3	R	10	8
	10.000		254.0	10000	3	R	11	8
	10.000		254.0	10000	3	W	10	8
	10.000		254.0	10000	3	W	11	8
	10.000		254.0	10000	4	B	10	10
	10.000		254.0	10000	4	B	11	10
	10.000		254.0	10000	4	R	10	10
	10.000		254.0	10000	4	R	11	10
	10.000		254.0	10000	4	W	10	10
	10.000		254.0	10000	4	W	11	10
	10.000		254.0	10000	5	B	10	12
12"	12.000		304.8	12000	3	B	10	8
	12.000		304.8	12000	3	B	11	8
	12.000		304.8	12000	3	W	10	8
	12.000		304.8	12000	4	B	10	10
	12.000		304.8	12000	4	B	11	10
	12.000		304.8	12000	4	W	10	10
	12.000		304.8	12000	4	W	11	10
	12.000		304.8	12000	5	B	10	12
	12.000		304.8	12000	5	B	11	12

Methods of Joining

MetFlo[®] Compression Couplings *Bold Type Designates a Stock Item*

SIZE	ID	NPS SIZE	METRIC	PRODUCT ID	BOLTS	GASKET	PROTECTOR	LENGTH
14"	14.000		355.6	14000	4	B	10	10
	14.000		355.6	14000	4	B	11	10
	14.000		355.6	14000	4	W	10	10
	14.000		355.6	14000	4	W	11	10
	14.000		355.6	14000	5	B	10	12

Coupling Specifications

- 1-1/2" through 14" OD for tube
- 1-1/2" through 8" NPS for pipe
- The MetFlo[®] Compression Coupling offers superior strength.
- Heavy 16 gauge outer shell on all couplings over 3-1/4" in diameter provides added strength and dimensional stability.
- G90 galvanized exterior coating provides superior corrosion resistance.
- Reinforcement bars are zinc plated steel to provide additional strength and stability.
- Grade 5 stress relieved bolts ensure durability.
- Industry compatible, precision die cut black neoprene gasket ensures a tight seal.
- Stainless steel strip guards against static electricity build-up.

Stainless steel compression couplings available upon request.

Stainless steel gasket protectors are also available.

Other gaskets:

White Nitrile
Red Rubber
Silicone
EPDM
Viton

See price guide for stocking status

Fittings

When Ordering,
Please Specify
Type of Material:

- Carbon
- Stainless
- Aluminum
- Galvanized Steel

Standard Reducing Couplings

- 2-1/8" through 14" OD
- Wall Thickness: 16, 14, 12, (11 Gauge Available in Straight Ends Only)
- Materials: Carbon, Stainless, Aluminum, Galvanized Steel

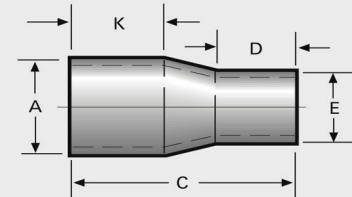
- 11 GAUGE AVAILABLE (STRAIGHT ENDS ONLY)
- STRAIGHT ENDS AVAILABLE ON ALL SIZES BY REQUEST

SIZE	GAUGE	A (OD)	C	D	E (ID)	F (OD)	G	K	PART NO.
2-1/8" x 2"	16	2-1/8"	4"	1-25/32"	2" ID	-	1-1/8"	2"	RC-212
2-1/2" x 2-1/8"	16	2-1/2"	4-1/2"	1-3/4"	2-1/8" ID	-	1-3/8"	1-1/2"	RC-254
3" x 2-1/8"	16	3"	8-3/4"	2-1/4"	2-1/8" ID	-	1-3/8"	2"	RC-3041
3" x 2-1/2"	16	3"	5"	2"	2-1/2" ID	-	1-3/8"	1-1/2"	RC-304
3-1/2" X 2-1/8"	16	3-1/2"	11"	2-1/4"	2-1/8" ID	-	1-3/8"	2"	RC-3541
3-1/2" X 2-1/2"	16	3-1/2"	9-1/4"	2-7/8"	2-1/2" ID	-	1-3/8"	2-7/8"	RC-3542
3-1/2" X 3"	16	3-1/2"	5-1/2"	2-1/8"	3" ID	-	1-3/8"	2-1/8"	RC-354
4" X 2-1/8"	16	4"	13-1/2"	1-5/8"	2-1/8" ID	-	1-3/8"	2"	RC-4041
4" X 2-1/2"	16	4"	10-1/2"	2-1/4"	2-1/2" ID	-	1-3/8"	2"	RC-4042
4" X 3"	16	4"	9-1/4"	2-1/4"	3" ID	-	1-3/8"	2"	RC-4043
4" X 3-1/2"	16	4"	6"	2"	3-1/2" ID	-	1-3/8"	1-1/2"	RC-404
5" X 2-1/8"	14	5"	19-1/4"	2-1/4"	2-1/8" ID	-	1-3/8"	2-3/4"	RC-5041
5" X 2-1/2"	14	5"	17-1/2"	2-1/4"	2-1/2" ID	-	1-3/8"	2-3/4"	RC-5042
5" X 3"	14	5"	15"	2-1/4"	3" ID	-	1-3/8"	2-3/4"	RC-5043
5" X 3-1/2"	14	5"	12-1/2"	2-1/4"	3-1/2" ID	-	1-3/8"	2-3/4"	RC-5044
5" X 4"	14	5"	8"	2-1/4"	4" ID	-	1-3/8"	1-3/4"	RC-504
6" X 2-1/8"	14	6"	24-3/4"	2-1/4"	2-1/8" ID	-	1-3/8"	3-1/4"	RC-6041
6" X 2-1/2"	14	6"	23"	2-1/4"	2-1/2" ID	-	1-3/8"	3-1/4"	RC-6042
6" X 3"	14	6"	20-1/2"	2-1/4"	3" ID	-	1-3/8"	3-1/4"	RC-6043
6" X 3-1/2"	14	6"	18"	2-1/4"	3-1/2" ID	-	1-3/8"	3-1/4"	RC-6044
6" X 4"	14	6"	15-3/4"	2-1/4"	4" ID	-	1-3/8"	3-1/4"	RC-6045
6" X 5"	14	6"	10"	2-5/8"	5" ID	-	1-3/8"	1-3/4"	RC-604
8" X 4"	14	8"	26-1/4"	2"	4" ID	-	1-3/8"	4-1/4"	RC-8044
8" X 5"	14	8"	21-7/8"	2-5/8"	5" ID	-	1-5/8"	4-1/4"	RC-8045
8" X 6"	14	8"	17-1/2"	3-1/4"	6" ID	-	1-5/8"	3-5/8"	RC-804
10" X 6"	12	10"	28-1/2"	3-1/4"	6" ID	-	1-5/8"	5-1/4"	RC-10046
10" X 8"	12	10"	18-1/4"	2-1/2"	-	8" OD	N/A	5-1/4"	RC-1004
12" X 8"	12	12"	29-1/4"	2-1/2"	-	8" OD	N/A	6-1/4"	RC-12048
12" X 10"	12	12"	19-3/4"	3-1/4"	-	10" OD	N/A	6"	RC-1204
14" X 10"	12	14"	30"	3"	-	10" OD	N/A	7-1/4"	RC-1404
14" X 12"	12	14"	20"	4"	-	12" OD	N/A	7-1/4"	RC-1405

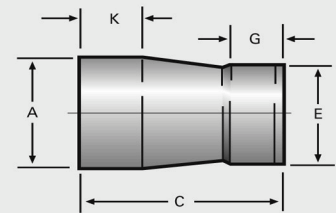
- EXPANDED ENDS STANDARD THROUGH 6" SIZE (ON SMALL END OF REDUCER)

KEY

OD = Outside Diameter
ID = Inside Diameter
All reference dimensions are nominal.
G = Expansion Depth



Standard Reducing Coupling
(straight end)



Standard Reducing Coupling
(expanded end)

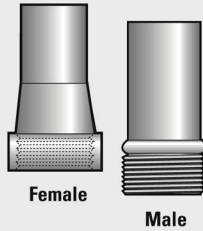
Other sizes available.
Please call a Customer
Service Representative
for information.

Tube Fittings

Adapter Specifications

- 1-1/2" through 6" OD
- Wall Thickness: 14 & 16 Gauge
- Aluminum, Carbon & Stainless

For joining tube to pipe

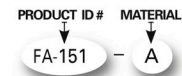


Female Adapters

Bold Type Designates a Stock Item

OD	FNPT	LENGTH	GAUGE	PRODUCT ID	MATERIAL
1-1/2"	1-1/2"	6"	16	FA-151	A, C, S
2"	2"	6"	16	FA-201	A, C, S
2-1/2"	2-1/2"	6"	16	FA-251	A, C, S
3"	3"	6"	16	FA-301	A, C, S
3-1/2"	3-1/2"	6"	16	FA-351	A, C, S
4"	4"	6-1/2"	16	FA-401	A, C, S
5"	5"	6-3/4"	14	FA-501	A, C, S
6"	6"	7"	14	FA-601	A, C, S

To determine your part number...



Material type

- C = carbon
- S = stainless
- A = aluminum

Male Adapters

Bold Type Designates a Stock Item

OD	MNPT	LENGTH	GAUGE	PRODUCT ID	MATERIAL
1-1/2"	1-1/2"	6"	16	MA-152	A, C, S
2"	2"	6"	16	MA-202	A, C, S
2-1/2"	2-1/2"	6"	16	MA-252	A, C, S
3"	3"	6"	16	MA-302	A, C, S
3-1/2"	3-1/2"	6"	16	MA-352	A, C, S
4"	4"	6"	16	MA-402	A, C, S
5"	5"	6-1/2"	14	MA-502	A, C, S
6"	6"	7"	14	MA-602	A, C, S

SPECIAL SERVICES

- Shot Peening
- Spiral Grooving
- Porcelain Lining
- Ceramic Coating
- Part Variations



Accessories

Wand Specifications

- Adjustable air relief is constructed of durable PVC
- All vacuum wands come with handles and end protectors
- Sizes range from 1-1/2" OD to 4" OD
- Available in Aluminum and Stainless Steel



SPECIAL SERVICES

- Shot Peening
- Spiral Grooving
- Porcelain Lining
- Ceramic Coating
- Part Variations



Bold Type Designates a Stock Item Order by Product ID Number

Vacuum Gaylord Wands

Without Cam and Groove Coupling

OD	GAUGE	LENGTH	MATERIAL	PRODUCT ID
1-1/2"	11	51"	Aluminum	11VW150A
1-1/2"	14	51"	Stainless	14VW150S
2"	11	51"	Aluminum	11VW200A
2"	14	51"	Stainless	14VW200S
2-1/2"	11	51"	Aluminum	11VW250A
2-1/2"	14	51"	Stainless	14VW250S
3"	11	51"	Aluminum	11VW300A
3"	14	51"	Stainless	14VW300S
4"	11	51"	Aluminum	11VW400A
4"	14	51"	Stainless	14VW400S

With Cam and Groove Coupling

OD	GAUGE	LENGTH	MATERIAL	PRODUCT ID
1-1/2"	11	57	Aluminum	11VW150A - CG
1-1/2"	14	57	Stainless	14VW150S - CG
2"	11	57	Aluminum	11VW200A - CG
2"	14	57	Stainless	14VW200S - CG
2-1/2"	11	57	Aluminum	11VW250A - CG
2-1/2"	14	57	Stainless	14VW250S - CG
3"	11	57	Aluminum	11VW300A - CG
3"	14	57	Stainless	14VW300S - CG
4"	11	57	Aluminum	11VW400A - CG
4"	14	57	Stainless	14VW400S - CG

Can't Find What You Need? Call Us!

Catalog Part Variations Available Upon Request.